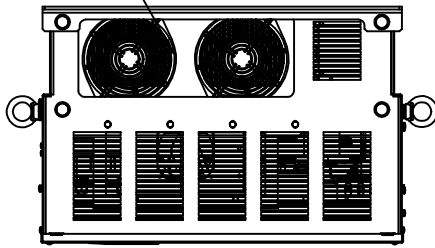
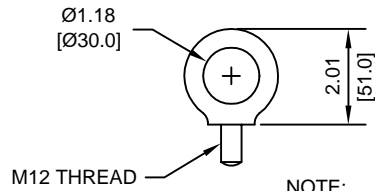


(2) EXTERNAL COOLING FANS

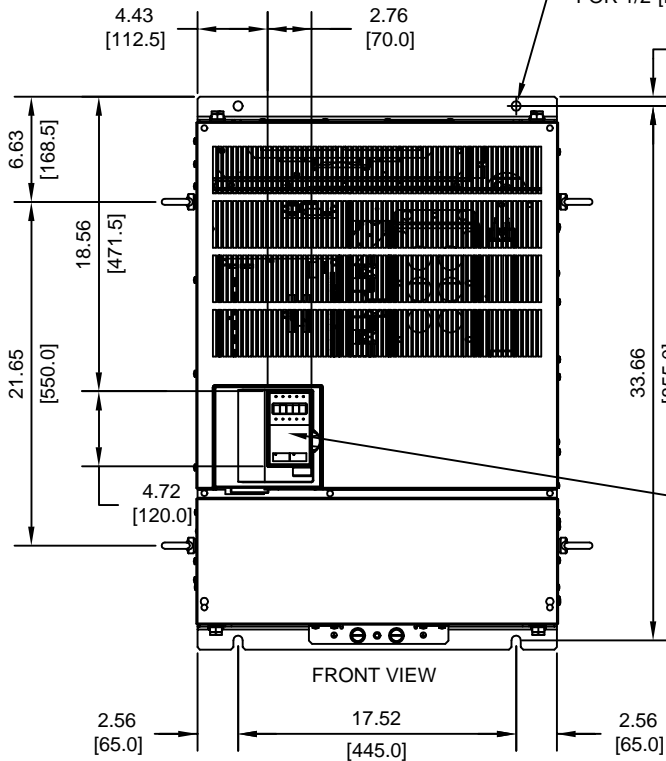


LIFTING AND EYEBOLT DETAILS

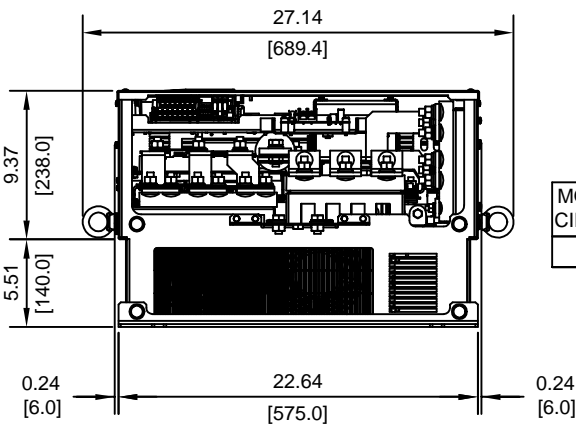
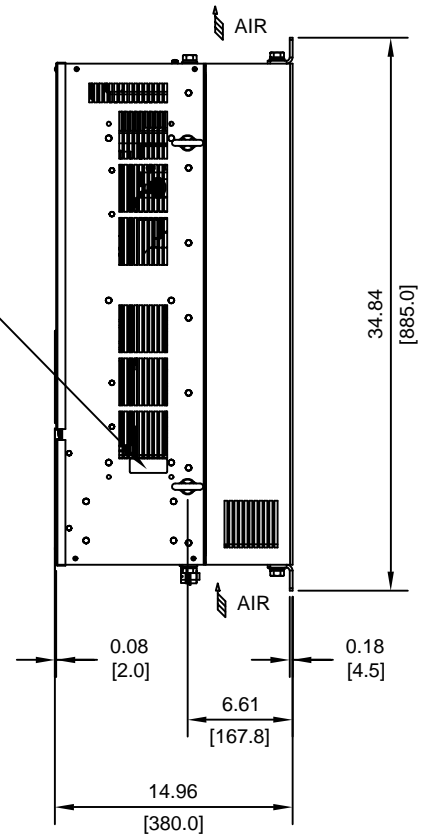


NOTE:
SPREADER BAR REQUIRED TO
AVOID DAMAGE DURING LIFTING

(4)-MOUNTING HOLES
FOR 1/2" [M12] SCREWS



NAMEPLATE
DIGITAL OPERATOR



MODEL #	VOLTAGE (VAC)	OUTPUT CURRENT (A)		WEIGHT LBS (Kg)	HEAT LOSS (W)		
		ND2	HD		INT	EXT	TOTAL
2110	208/230	415	415	330 (150)	1234	2733	3967

ND2=NORMAL DUTY 2
HD=HEAVY DUTY

INT=INTERNAL COMPONENTS
EXT=EXTERNAL HEATSINK

FOR ADDITIONAL DETAILS AND SPECIFICATIONS, CONSULT MANUAL

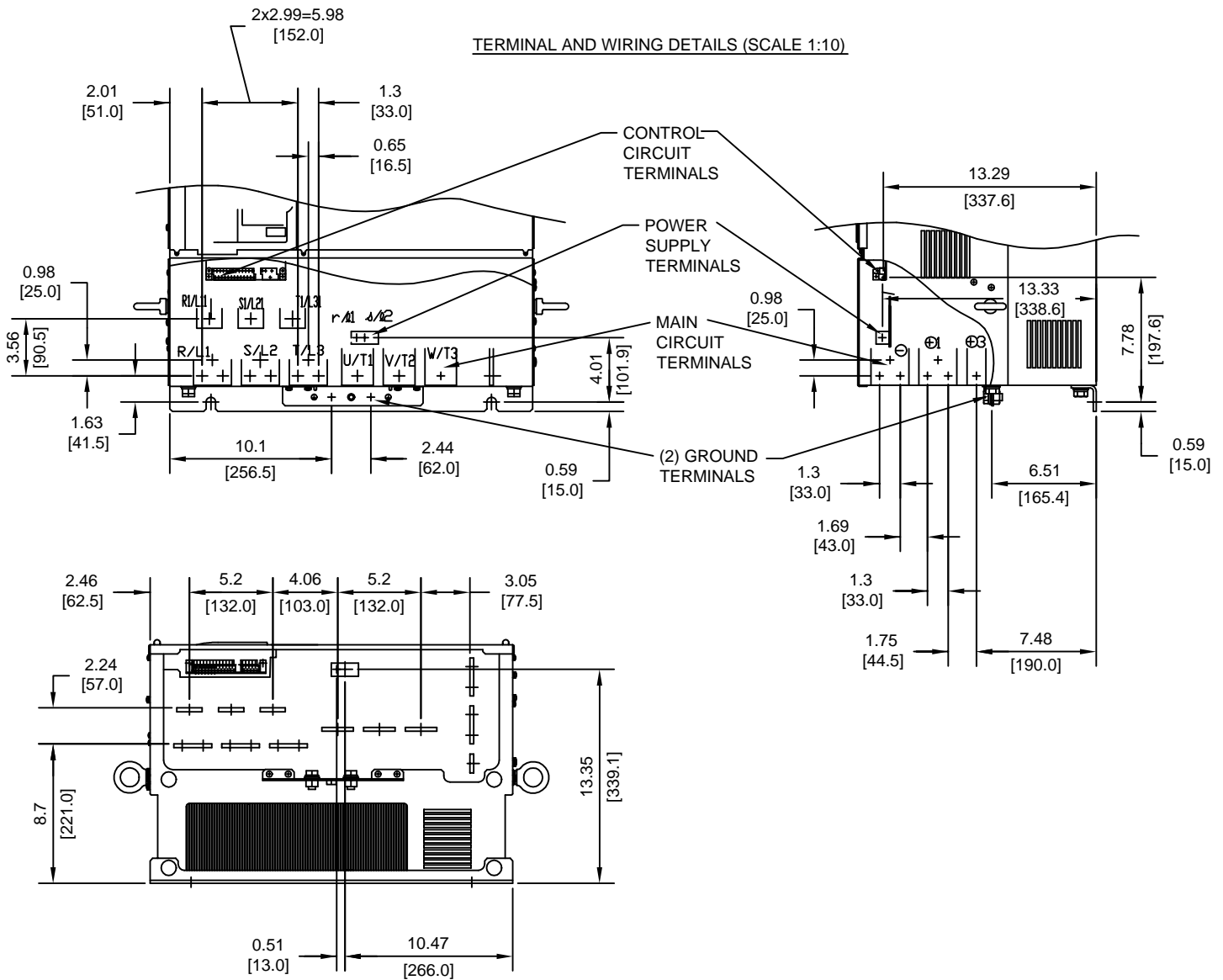
TOLERANCES/REFERENCES:	
-	
-	
-	
-	
UNITS:	SCALE:
IN[mm]	1:12

YASKAWA
A World of Automation Solutions™

YASKAWA ELECTRIC AMERICA, INC.
Corporate Headquarters
2121 Norman Drive South
Waukegan, IL 60085
1-800-YASKAWA
http://www.yaskawa.com

DRAWN: J. MATTAS	DATE 8-20-03	TITLE: F7 DIMENSION DRAWING		
CHECKED: M. RUCINSKI	DATE 9-16-03	FRAME SIZE 12		
TECH: J. CAIRO	DATE 9-2-03	IP00 ENCLOSURE		
APPROVED: T. SASADA	DATE 9-16-03	SIZE A	REVISION R01	PAGE 1 of 3
ORIGINAL DESIGN: -	DATE -	DRAWING #: DD.F7.FR12.IP00.01		

TERMINAL AND WIRING DETAILS (SCALE 1:10)



TERMINAL AND WIRE SPECIFICATIONS FOR MAIN CIRCUIT AND GROUND

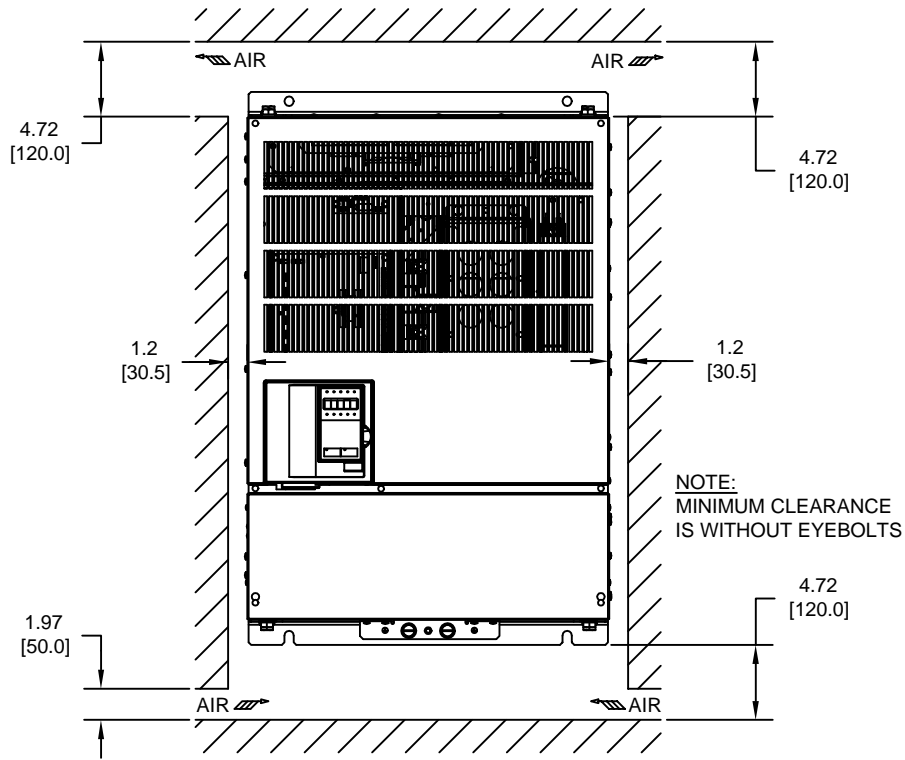
MODEL #	TERMINAL SYMBOL	TERMINAL SCREW	CLAMPING TORQUE lb.in.(N.m.)
2110	R/L1, S/L2, T/L3, ⊕, ⊕1, ⊕, U/T1, V/T2, W/T3, R1/L11, S1/L21, T1/L31	M12	276 TO 345 (31.4 TO 39.2)
	⊕3	M8	78.0 TO 95.0 (8.8 TO 10.8)
	r11, s12	M4	11.4 TO 12.3 (1.3 TO 1.4)

NOTE: REFER TO APPLICABLE CODES FOR PROPER WIRE TYPE AND SIZE

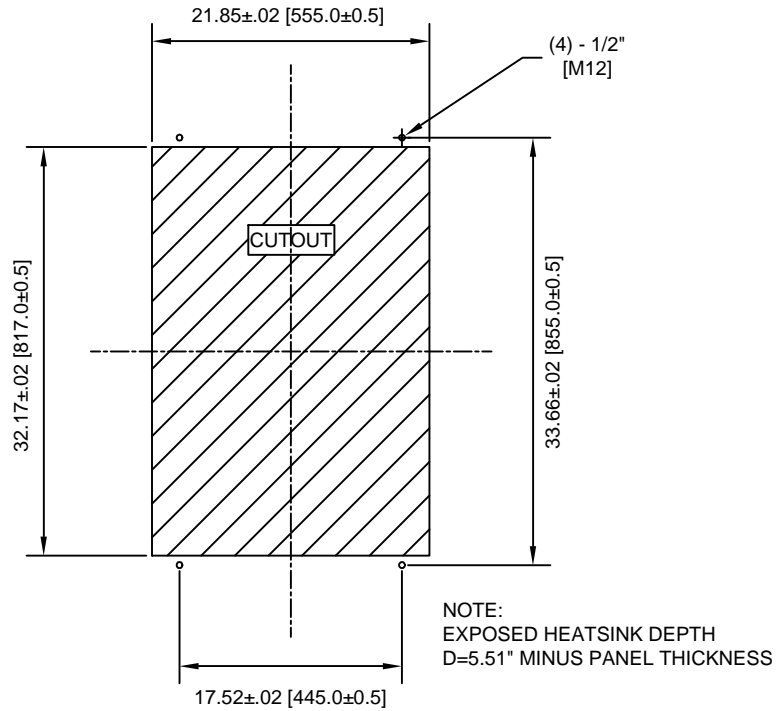
FOR ADDITIONAL DETAILS AND SPECIFICATIONS, CONSULT MANUAL

TOLERANCES/REFERENCES: - - - - -	<p>YASKAWA A World of Automation Solutions™</p> <p>YASKAWA ELECTRIC AMERICA, INC. Corporate Headquarters 2121 Norman Drive South Waukegan, IL 60085 1-800-YASKAWA http://www.yaskawa.com</p>	DRAWN: J. MATTAS DATE: 8-20-03	TITLE: F7 DIMENSION DRAWING FRAME SIZE 12 IP00 ENCLOSURE F7U2110
		CHECKED: M. RUCINSKI DATE: 9-16-03	DATE: 9-2-03
		TECH: J. CAIRO DATE: 9-16-03	REVISION R01
		APPROVED: T. SASADA DATE: 9-16-03	PAGE 2 of 3
UNITS: IN[mm]	SCALE: BY VIEW	ORIGINAL DESIGN: -	DRAWING #: DD.F7.FR12.IP00.01

MINIMUM INSTALLATION CLEARANCES (SCALE 1:12)



PANEL CUTOUT FOR EXTERNAL HEATSINK MOUNTING CONFIGURATION (SCALE 1:15)



FOR ADDITIONAL DETAILS AND SPECIFICATIONS, CONSULT MANUAL

TOLERANCES/REFERENCES: -		<p>YASKAWA A World of Automation Solutions™</p> <p>YASKAWA ELECTRIC AMERICA, INC. Corporate Headquarters 2121 Norman Drive South Waukegan, IL 60085 1-800-YASKAWA http://www.yaskawa.com</p>	DRAWN: J. MATTAS	DATE 8-20-03	TITLE: F7 DIMENSION DRAWING		
UNITS: IN[mm]			CHECKED: M. RUCINSKI	DATE 9-16-03	FRAME SIZE 12		
SCALE: BY VIEW		TECH: J. CAIRO	DATE 9-2-03	IP00 ENCLOSURE			
		APPROVED: T. SASADA	DATE 9-16-03	SIZE A	REVISION R01	PAGE 3 of 3	
		ORIGINAL DESIGN: -	DATE -	DRAWING #: DD.F7.FR12.IP00.01			